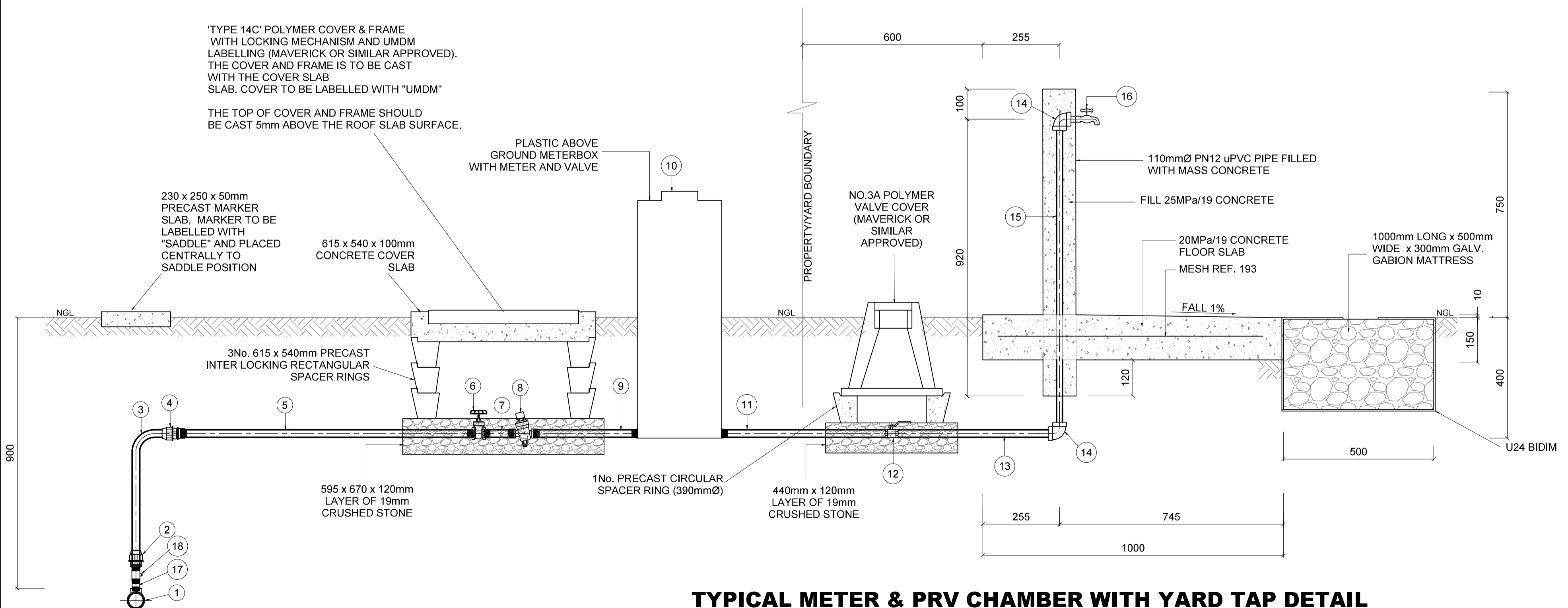


PLAN VIEW OF TYPICAL METER & PRV CHAMBER WITH YARD TAP DETAIL
SCALE 1:10



TYPICAL METER & PRV CHAMBER WITH YARD TAP DETAIL
SCALE 1:10

ITEM	DESCRIPTION	QTY
①	PIPE DIAMETER x 3/4" CLAMP SADDLE WITH THREADED FEMALE END	1
②	20mm x 3/4" MALE COMPRESSION ADAPTER	1
③	20MM Ø HDPE PIPE CLASS 16, LENGTH = 1200-1500mm (TO BE CONFIRMED ON SITE)	1
④	20mm X 3/4" FEMALE COMPRESSION ADAPTER	1
⑤	* 20mm Ø GMS PIPE, THREADED BOTH ENDS, LENGTH = 975mm LENGTH TBC ON SITE	1
⑤	** 20mm Ø GMS PIPE, THREADED BOTH ENDS, LENGTH = 1520mm, LENGTH TBC ON SITE	1
⑥	* 25mm Ø FEMALE THREADED BRASS GATE VALVE ** TO BE OMITTED	1
⑦	* 20mm Ø GMS PIPE, THREADED BOTH ENDS, LENGTH = 100mm ** TO BE OMITTED	1
⑧	* 20mm Ø CALEFFI PRESSURE REDUCING VALVE WITH FEMALE THREADED ENDS AND BUILT IN STRAINER. ** TO BE OMITTED	1
⑨	* 20mm Ø GMS THREADED PIPE, 370mm LONG ** TO BE OMITTED	1
⑩	20mm PLASTIC ABOVE GROUND METER BOX, HOUSING 15mm PLASTIC BODIED SENSUS WATER METER AND VALVE, MODEL AGB800 OR SIMILAR APPROVED	1
⑪	20mm Ø HDPE PIPE, LENGTH TBC ON SITE (500mm-1000mm) (TO BE CONFIRMED ON SITE)	1
⑫	20mmØ CI BALL VALVE, FEMALE THREADED BOTH ENDS	2
⑬	20mm Ø GMS THREADED PIPE, 515mm LONG, LENGTH TBC ON SITE	1
⑭	20mm Ø GMS FEMALE ELBOW	2
⑮	20mm Ø GMS THREADED PIPE, 865mm LONG	1
⑯	20mm Ø COBRA BRASS TAP OR SIMILAR APPROVED	1
⑰	20mm Ø GMS NIPPLE BARREL THREADED BOTH ENDS,	1
⑱	20mm Ø BALL-O-STOP VALVE, FEMALE THREADED BOTH ENDS	1

NOTE:
ALL FITTINGS TO BE RATED PN16
* PRV REQUIRED
** PRV NOT REQUIRED

MAKHAOTSE, NARASIMULU & ASSOCIATES (Pty) Ltd
Consulting Civil Engineers and Project Managers
Reg No. 2009/010089/07

84 Cleland Road Hayfields P.O. Box 28580
Pietermaritzburg 3201 Haymarket
Tel (033) 346 2835 Pietermaritzburg 3200
Fax (033) 346 2328 e-mail: pmb@mna-sa.co.za

CONSTRUCTION DRAWING
DATE : 19/01/2021
SIGNED BY : *S. DeLomoney*
CONSULTING ENGINEER

REV	DATE	DESCRIPTION	BY	CHK
0	27-07-20	ISSUED FOR CONSTRUCTION	AG	SD
A	06-07-20	ISSUED FOR TENDER	AG	SD

DRG. NO.	REFERENCE DRAWINGS

CLIENT LOGO

UMGUNGUNDLOVU
UMGUNGUNDLOVU DISTRICT MUNICIPALITY

CLIENT NAME
UMGUNGUNDLOVU DISTRICT MUNICIPALITY

PROJECT TITLE
UMSHWATI PHASE 4 GREATER EFAYE RETICULATION

DRAWING TITLE
PRV & METER CHAMBER WITH YARD TAP DETAILS

	RESPONSIBLE PERSON	DATE
DESIGNED	KD NAIDOO	27-05-2019
CHECKED	S. DELOMONEY	27-05-2019
DRAWN	KD NAIDOO	27-05-2019
CHECKED	S. DELOMONEY	27-05-2019
SCALES	AS NOTED	SHEET SIZE A1
DRAWING NO.	WP1983-MNA-FC-WA-414	REVISION 0